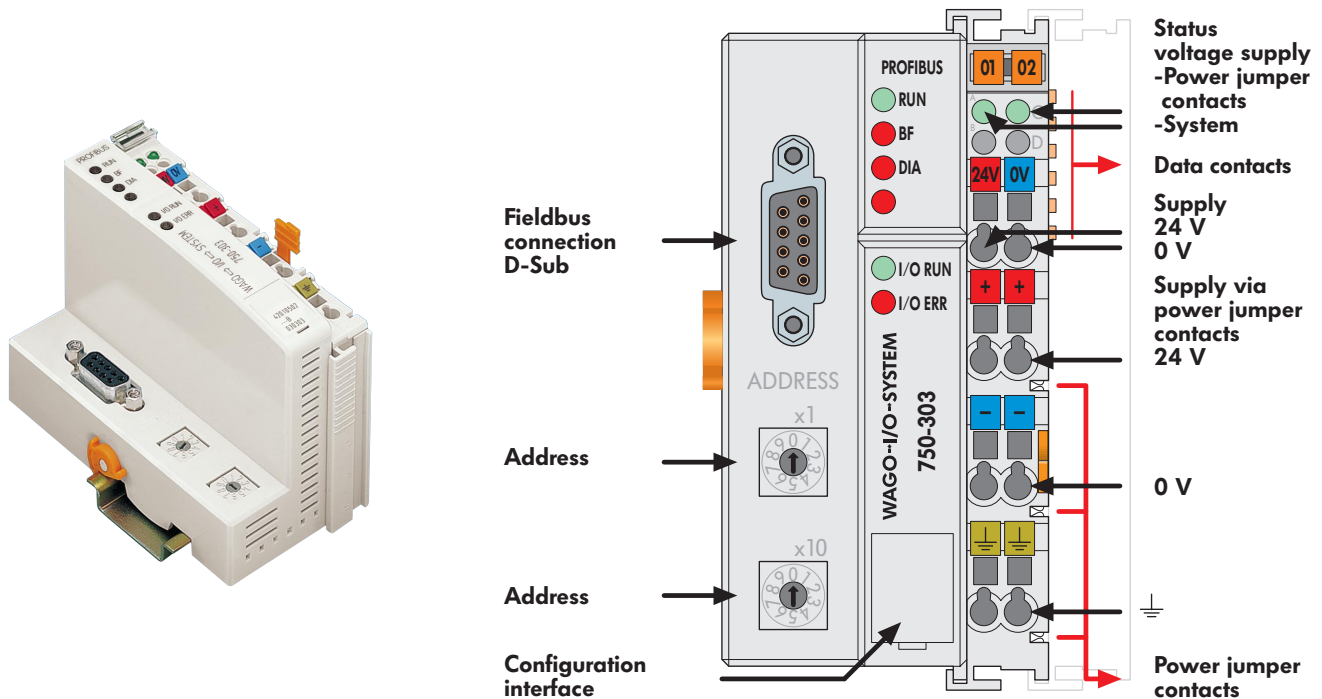


PROFIBUS DP/FMS

Fieldbus Coupler; EN 50170; 12 MBaud; digital and analog signals



This buscoupler allows connection of the WAGO I/O SYSTEM as a slave to the PROFIBUS fieldbus.

The buscoupler is capable of supporting all I/O modules. The buscoupler automatically configures, creating a local process image which may include analog, digital or specialty modules. Analog and specialty module data is sent via words and/or bytes, digital data is sent bit by bit.

PROFIBUS allows the storing of the process image in the corresponding Master control (PLC, PC or NC).

The local process image is divided into two data zones containing the data received and the data to be sent.

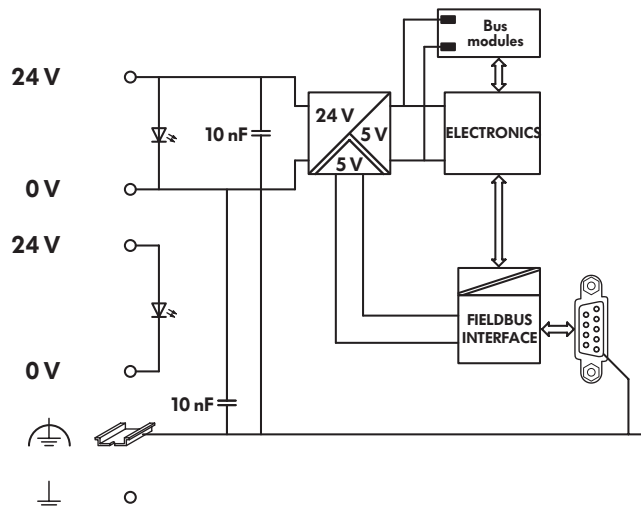
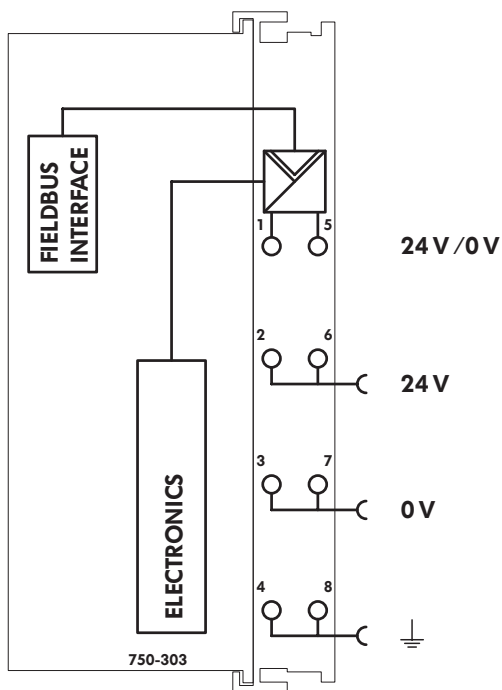
The process data can be sent via the PROFIBUS fieldbus to the PLC, PC or NC for further processing, and received from the field via PROFIBUS.

The data of the analog modules is stored in the process image which is created automatically according to the order in which the modules are connected to the buscoupler. The bits of the digital modules are sent byte by byte and added to the analog data. If the amount of digital information exceeds 8 bits, the buscoupler automatically starts with a new byte.

When implementing new installations with PROFIBUS DP, please consider fieldbus coupler 750-333 with extended functions (page 1.020).

Note: GSD files required

Description	Item-No.	Pack.-unit pcs	System Data	
PROFIBUS DP/FMS 12 MBd	750-303	1	Max. no. of nodes	96 with repeater
			Max. no. of I/O points	ca. 6000 (depends on master)
			Transmission medium	Cu cable acc. to EN 50170
			Max. length of fieldbus segment	100 m ... 1200 m (depends on the baud rate/on the cable)
			Baud rate	9.6 kBaud ... 12 MBaud
			Transmission time	typ. 1 ms (10 nodes; 32 Is, 32 Os per node; with 12 MBaud and digital signals) max. 3.3 ms
			Buscoupler connection	1 x D-Sub 9; socket



Technical Data		General specifications	
Max. no. of I/O modules	64	Operating temperature	0 °C ... +55 °C
Fieldbus		Wire connection CAGE CLAMP®	0.08 mm ² ... 2.5 mm ² ; AWG 28 ... 14
-Input process image	max. 128 bytes ¹⁾		8 ... 9 mm / 0.33 in stripped length
-Output process image	max. 128 bytes ¹⁾	Dimensions (mm) W x H x L	51 x 65* x 100
Configuration	via PC or PLC		* from upper edge of DIN 35 rail
Voltage supply	DC 24 V (-25% ... +30%)	Weight	ca 195 g
Input current _{max.}	500 mA at 24 V	Storage temperature	-25 °C ... +85 °C
Efficiency of the power supply	87 %	Relative air humidity	95% no condensation
Internal current consumption	350 mA at 5 V	Vibration and shock resistance	acc. to IEC 60068-2-6 acc. to IEC 60068-2-27
Total current for I/O modules	1650 mA at 5 V	Degree of protection	IP 20
Isolation	500 V system / supply	EMC CE -Immunity to interference	acc. to EN 50082-2 (1996)
Voltage via power jumper contacts	DC 24 V (-25% ... +30%)	EMC CE -Emission of interference	acc. to EN 50081-2 (1994)
Current via power jumper contacts _{max.}	DC 10 A	EMC marine applications -Immunity to interf.	acc. to Germanischer Lloyd (1997)
		EMC marine applications -Emission of interf.	acc. to Germanischer Lloyd (1997)
		Standards and Approvals	
		Standard	EN 50170
		Certification	PNO
		eU _{is} and marine applications	see pages 1.10 ... 1.13
		Ex	II 3 G EEx nA II T4, Class I Div2 ABCD T4A
		Conformity marking	CE
		Accessories	
		Item-No.	Pack.-unit pcs
		GSD files	Download: www.wago.com
		Miniature WSB quick marking system	
		plain	248-501 5
		with marking	see pages 1.174 ... 1.175