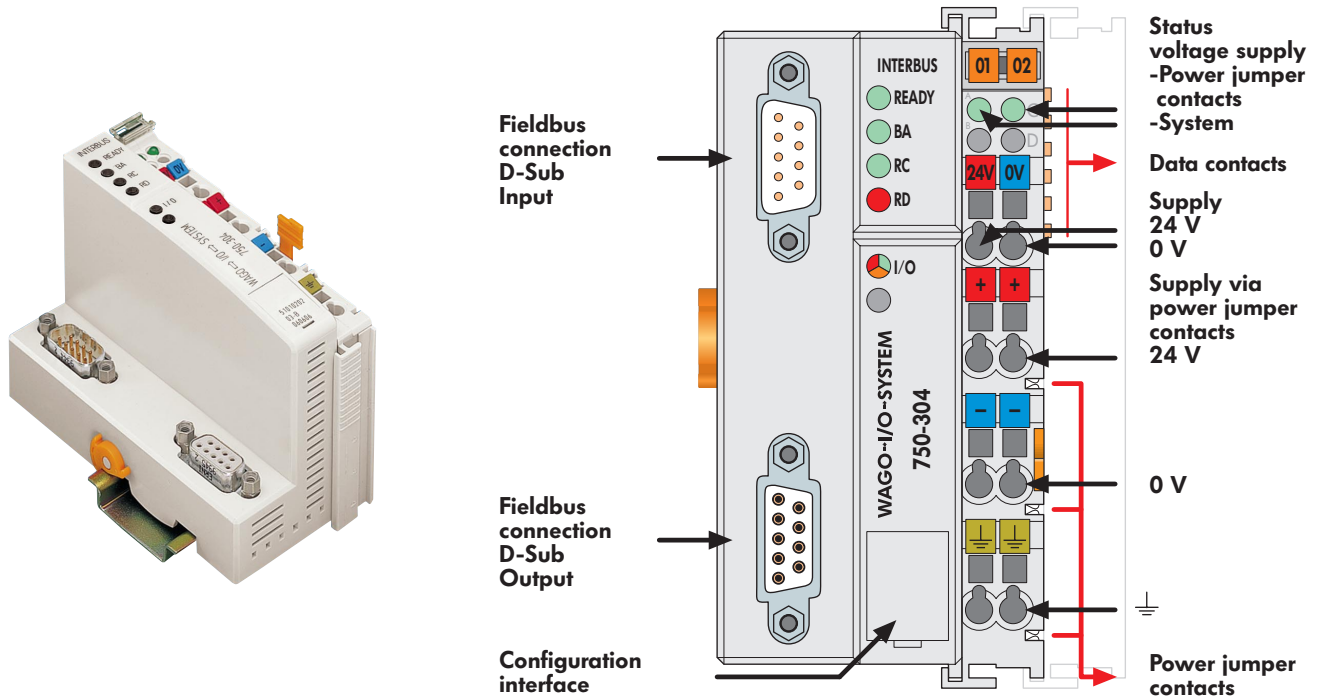
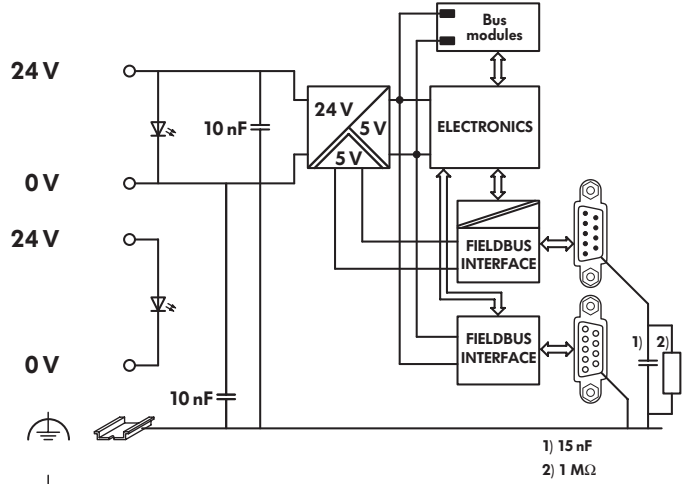
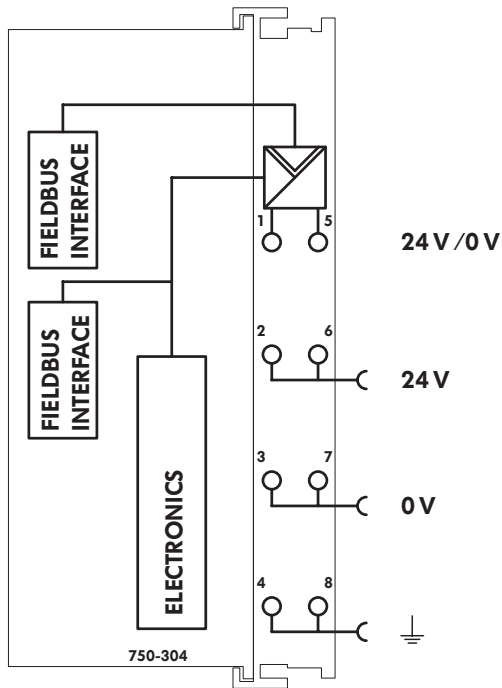


**INTERBUS**  
**Fieldbus Coupler; EN 50254; digital and analog signals**



This buscoupler allows connection of the WAGO-I/O-SYSTEM as a slave to the INTERBUS fieldbus. The buscoupler is capable of supporting all bus modules. The buscoupler automatically configures, creating a local process image which may include analog, digital or specialty modules. Analog and specialty module data is sent via words and/or bytes, digital data is sent bit by bit. INTERBUS allows the storing of the process image in the corresponding Master control (PLC, PC or NC). The local process image is divided into two data zones containing the data received and the data to be sent. The process data can be sent via the INTERBUS fieldbus to the PLC, PC or NC for further processing, and received from the field via INTERBUS. The data of the analog modules is stored in the process image which is created automatically according to the order in which the modules are connected to the buscoupler. The bits of the digital modules are sent byte by byte and added to the analog data. If the amount of digital information exceeds 8 bits, the buscoupler automatically starts with a new byte.

Description	Item-No.	Pack.-unit pcs	System Data	
INTERBUS	750-304	1	Max. no. of nodes	256
			Max. no. of I/O points	4096 (depends on master)
			Transmission medium	certified Cu cable
			Max. length of fieldbus segment	400 m
			Baud rate	500 kbaud
			Transmission time	typ. 1.43 ms
				(10 nodes; 32 Is, 32 Os per node)
			Buscoupler connection	1 x D-Sub 9; plug for input interface
				1 x D-Sub 9; socket for output interface



Technical Data		General specifications	
Max. no. of I/O modules	64	Operating temperature	0 °C ... +55 °C
Fieldbus		Wire connection CAGE CLAMP®	0.08 mm <sup>2</sup> ... 2.5 mm <sup>2</sup> ; AWG 28 ... 14
-Input process image	max. 64 bytes		8 ... 9 mm / 0.33 in stripped length
-Output process image	max. 64 bytes	Dimensions (mm) W x H x L	51 x 65* x 100
Configuration	via PC or PLC		* from upper edge of DIN 35 rail
Voltage supply	DC 24 V (-15 % ... +20 %)	Weight	ca 200 g
Input current max.	500 mA at 24 V	Storage temperature	-25 °C ... +85 °C
Efficiency of the power supply	87 %	Relative air humidity	95 % no condensation
Internal current consumption	300 mA at 5 V <sup>1)</sup>	Vibration and shock resistance	acc. to IEC 60068-2-6
Total current for I/O modules	1700 mA at 5 V <sup>2)</sup>	Degree of protection	IP 20
Isolation	500 V system / supply	EMC CE -Immunity to interference	acc. to EN 50082-2 (1996)
Voltage via power jumper contacts	DC 24 V (-15 % ... +20 %)	EMC CE -Emission of interference	acc. to EN 50081-2 (1994)
Current via power jumper contacts max.	DC 10 A		
		Standards and Approvals	
		Standard	EN 50254
		Certification	INTERBUS CLUB
		UL	see pages 1.10 ... 1.13
		Ex	II 3 G EEx nA II T4, Class I Div2 ABCD T4A
		Conformity marking	CE
		Accessories	Item-No.
			Pack.-unit pcs
		INTERBUS files	Download: <a href="http://www.wago.com">www.wago.com</a>
		Miniature WSB quick marking system	
		plain	248-501 5
		with marking	see pages 1.174 ... 1.175

<sup>1)</sup> as from version 0101, previous versions 450 mA  
<sup>2)</sup> as from version 0101, previous versions 1550 mA

Subject to design changes