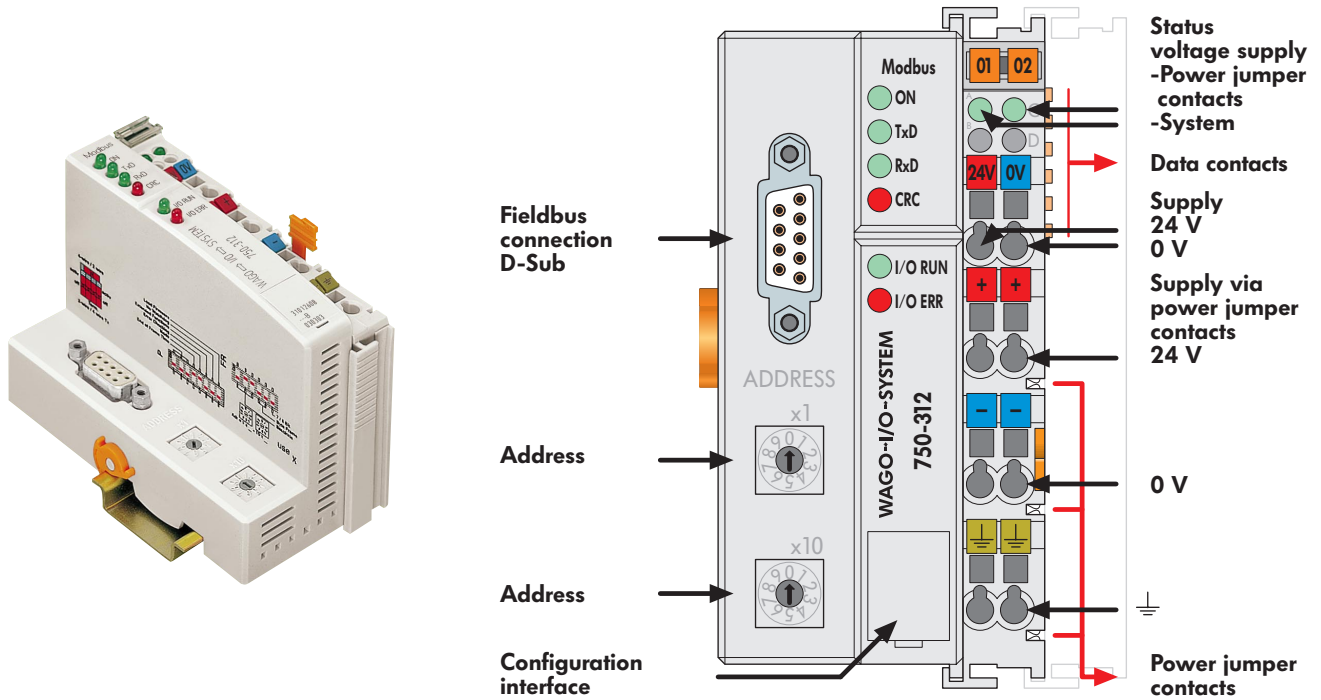


**MODBUS Fieldbus Coupler;**

RS 232 / 485; 150 (1200) baud ... 19 200 (115 200) baud; digital and analog signals



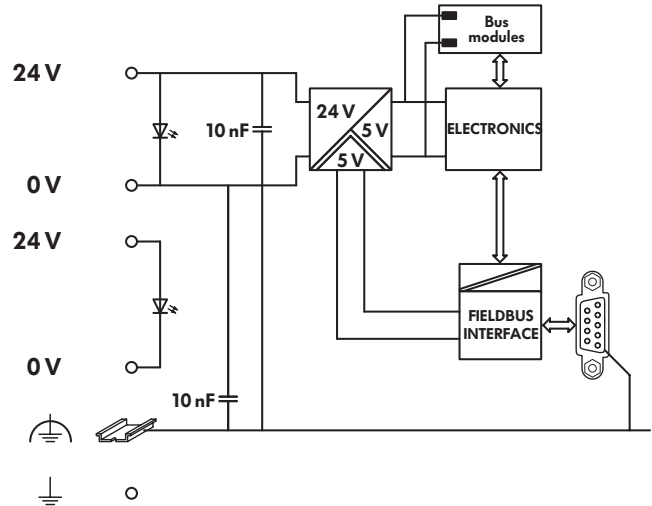
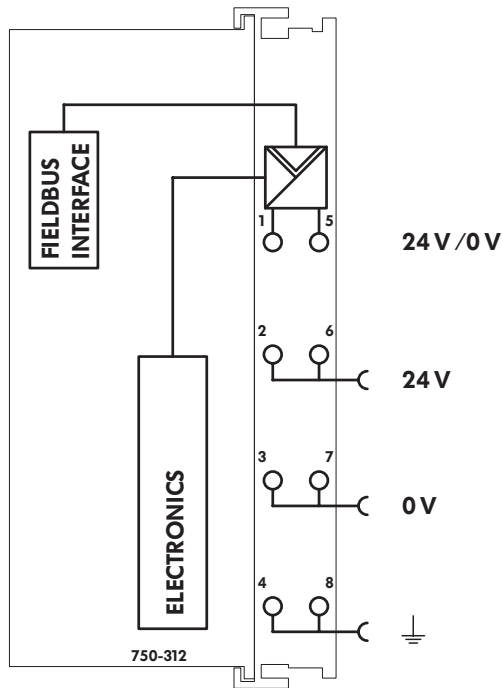
This buscoupler allows connection of the WAGO I/O SYSTEM as a slave to the MODBUS fieldbus.

The buscoupler is capable of supporting all bus modules. The buscoupler automatically configures, creating a local process image which may include analog, digital or specialty modules. Analog and specialty module data is sent via words and/or bytes, digital data is sent bit by bit.

MODBUS allows the storing of the process image in the corresponding Master control (PLC, PC or NC).

The data of the analog modules is stored in the process image which is created automatically according to the order in which the modules are connected to the buscoupler. The bits of the digital modules are sent byte by byte and added to the analog data (registers). If the amount of digital information exceeds 8 bits, the buscoupler automatically starts with a new byte.

Description	Item-No.	Pack.-unit pcs	System Data	
MODBUS/ RS 485/ 150-19200 Bd	750-312	1	No. of nodes	99 with repeater
MODBUS/ RS 485/ 1,2 -115,2 kBd	750-315	1	No. of I/O points	ca 6000 (depends on master)
MODBUS/ RS 232/ 150-19200 Bd	750-314	1	Transmission medium	shielded Cu cable
MODBUS/ RS 232/ 1,2 -115,2 kBd	750-316	1		2 (4) x 0.25 mm <sup>2</sup> / AWG 23
			Max. length of fieldbus segment	1200 m
				(depends on baud rate/on the cable)
			Baud rate	(1200) 150 baud ... (115 200) 19 200 baud
			Buscoupler connection	1 x D-SUB 9, socket



Technical Data		General specifications	
Max. no. of I/O modules	64	Operating temperature	0 °C ... +55 °C
Fieldbus		Wire connection CAGE CLAMP®	0.08 mm <sup>2</sup> ... 2.5 mm <sup>2</sup> ; AWG 28 ... 14
-Input process image	max. 512 bytes		8 ... 9 mm / 0.33 in stripped length
-Output process image	max. 512 bytes	Dimensions (mm) W x H x L	51 x 65* x 100
Configuration	DIP switch and 2 decimal Coder or via PC or PLC	Weight	ca 200 g
Voltage supply	DC 24 V (-25 % ... +30 %)	Storage temperature	-25 °C ... +85 °C
Input current max.	500 mA at 24 V	Relative air humidity	95 % no condensation
Efficiency of the power supply	87 %	Vibration and shock resistance	acc. to IEC 60068-2-6 acc. to IEC 60068-2-27
Internal current consumption	350 mA at 5 V	Degree of protection	IP 20
Total current for I/O modules	1650 mA at 5 V	EMC CE -Immunity to interference	acc. to EN 50082-2 (1996)
Isolation	500 V system / supply	EMC CE -Emission of interference	acc. to EN 50081-1 (1993)
Voltage via power jumper contacts	DC 24 V (-25 % ... +30 %)	EMC marine applications -Immunity to interf.	acc. to Germanischer Lloyd (1997)
Current via power jumper contacts max.	DC 10 A	EMC marine applications -Emission of interf.	acc. to Germanischer Lloyd (1997)
		<b>Approvals</b>	
		UL and marine applications	see pages 1.10 ... 1.13
		Ex	II 3 G EEx nA II T4 (750-312) II 3 GD EEx nA II T4 (750-314, -315, -316) Class I Div2 ABCD T4A (750-314, -315, -316)
		Conformity marking	CE
		<b>Accessories</b>	
		<b>Item-No.</b>	<b>Pack.-unit pcs</b>
		<b>Miniature WSB quick marking system</b>	
		plain	<b>248-501</b> 5
		with marking	see pages 1.174 ... 1.175