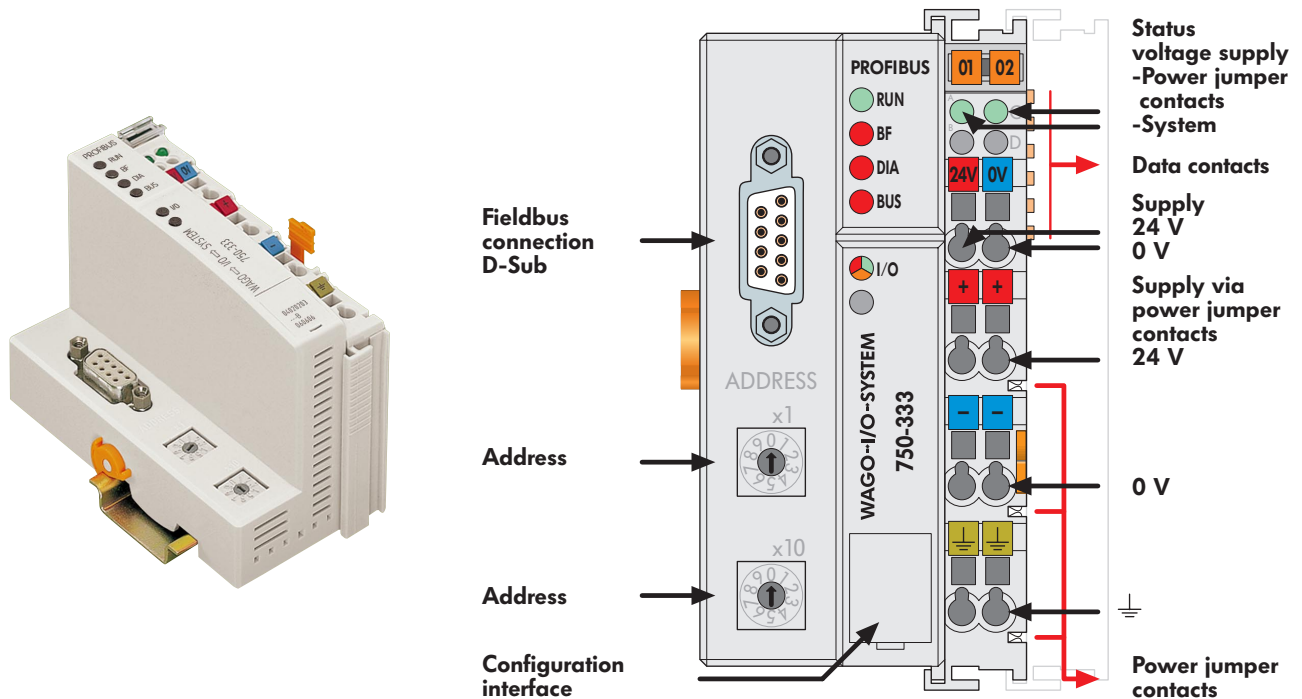


PROFIBUS DP/V1

Fieldbus Coupler; EN 50170; 12 MBaud; digital and analog signals



This buscoupler interfaces the I/O modules of the WAGO-I/O-SYSTEM 750 to PROFIBUS DP.

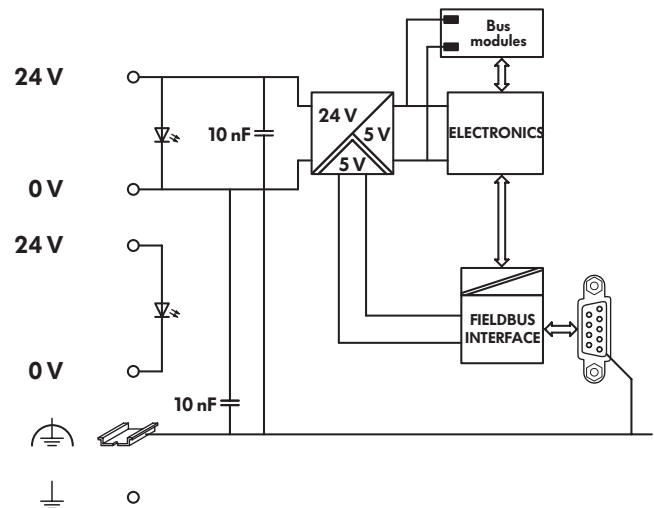
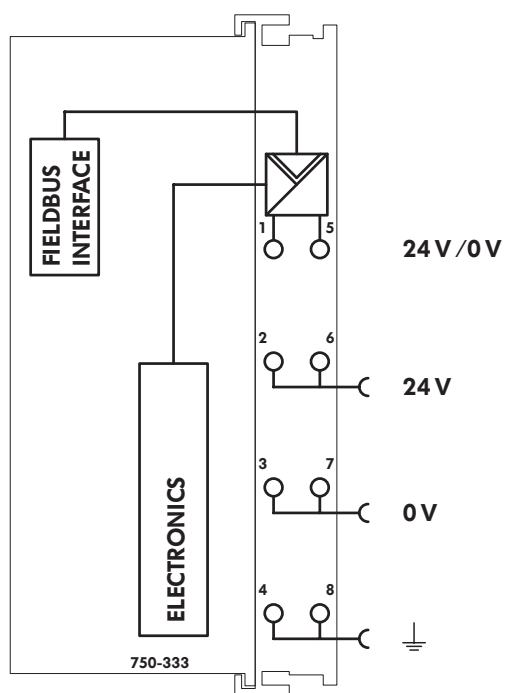
When initializing, the buscoupler determines the module structure of the node, to create the process image in Profibus. In order to optimize addresses, the I/O modules with a bit width smaller than 8 are grouped in one byte.



It is furthermore possible to deactivate I/O modules and to modify the image of the node according to the connected signals without having to modify the existing application.

The diagnosis concept is based on diagnostics according to the EN 50170 Standard. Therefore the programming of modules is not necessary to interpret the diagnostic information from each manufacturer.

Note: GSD files required

Description	Item-No.	Pack.-unit pcs	System Data	
PROFIBUS DP/V1 12 MBd	750-333	1	Max. no. of nodes	96 with repeater
			Max. no. of I/O points	ca. 6000 (depends on master)
			Transmission medium	Cu cable acc. to EN 50170
			Max. length of fieldbus segment	100 m ... 1200 m (depends on the baud rate/on the cable)
			Baud rate	9.6 kBaud ... 12 MBaud
			Transmission time	typ. 1 ms (10 nodes; 32 Is, 32 Os per node; with 12 MBaud and digital signals) max. 3.3 ms
			Buscoupler connection	1 x D-Sub 9; socket



Technical Data	General specifications		
Max. no. of I/O modules	63	Operating temperature	0 °C ... +55 °C
Fieldbus		Wire connection CAGE CLAMP®	0.08 mm ² ... 2.5 mm ² ; AWG 28 ... 14
-Input process image	max. 244 bytes		8 ... 9 mm / 0.33 in stripped length
-Output process image	max. 244 bytes	Dimensions (mm) W x H x L	51 x 65* x 100
Configuration	via PC or PLC		* from upper edge of DIN 35 rail
Voltage supply	DC 24 V (-25 % ... +30 %)	Weight	ca 195 g
Input current _{max.}	500 mA at 24 V	Storage temperature	-25 °C ... +85 °C
Efficiency of the power supply	87 %	Relative air humidity	95 % no condensation
Internal current consumption	200 mA at 5 V	Vibration and	acc. to IEC 60068-2-6
Total current for I/O modules	1800 mA at 5 V	shock resistance	acc. to IEC 60068-2-27
Isolation	500 V system / supply	Degree of protection	IP 20
Voltage via power jumper contacts	DC 24 V (-25 % ... +30 %)	EMC CE -Immunity to interference	acc. to EN 50082-2 (1996)
Current via power jumper contacts _{max.}	DC 10 A	EMC CE -Emission of interference	acc. to EN 50081-2 (1994)
		EMC marine applications -Immunity to interf.	acc. to Germanischer Lloyd (1997)
		EMC marine applications -Emission of interf.	acc. to Germanischer Lloyd (1997)
		Standards and Approvals	
		Standard	EN 50170
		 US and marine applications	see pages 1.10 ... 1.13
		 Ex	II 3 GD EEx nA II T4, Class I Div2 ABCD T4A
		Conformity marking	CE
		Accessories	Item-No.
		GSD files	Download: www.wago.com
		Miniature WSB quick marking system	
		plain	248-501
		with marking	see pages 1.174 ... 1.175
			Pack.-unit pcs
			5