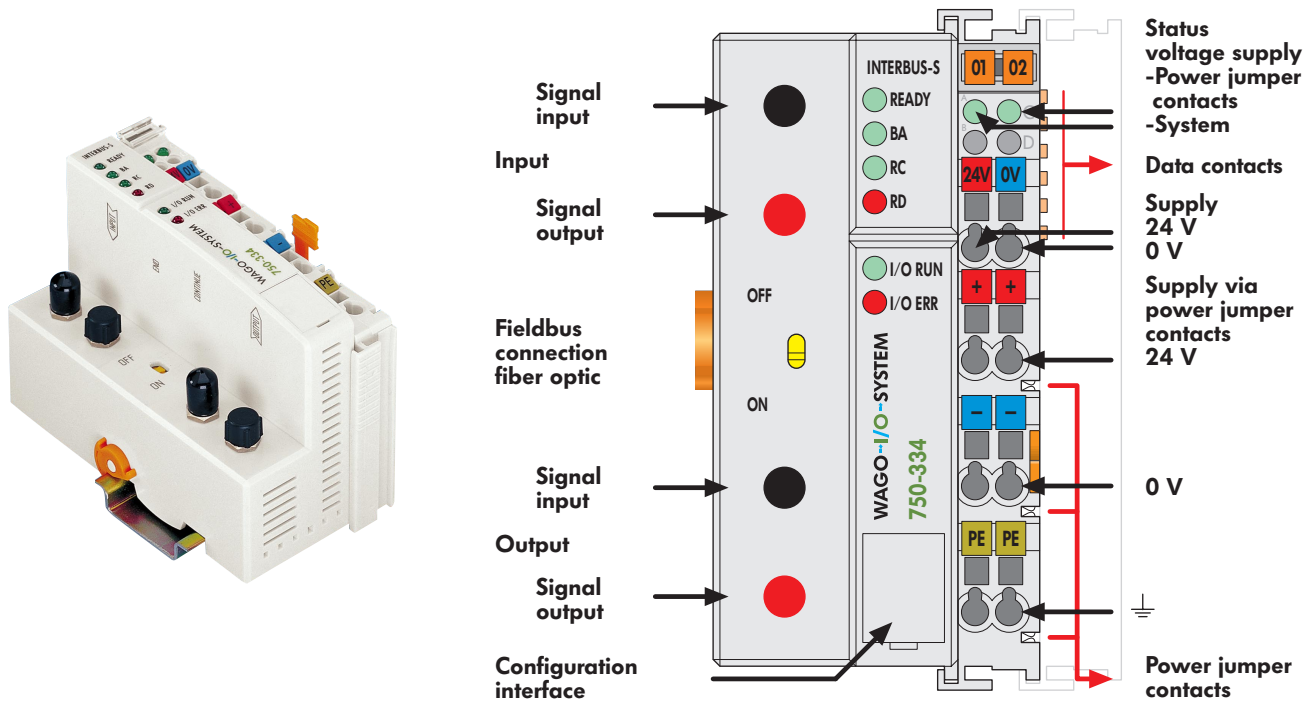


INTERBUS
Fieldbus Coupler; EN 50 254; fiber optic connection; digital and analog signals



This buscoupler allows connection of the WAGO I/O SYSTEM as a slave to the INTERBUS fieldbus.

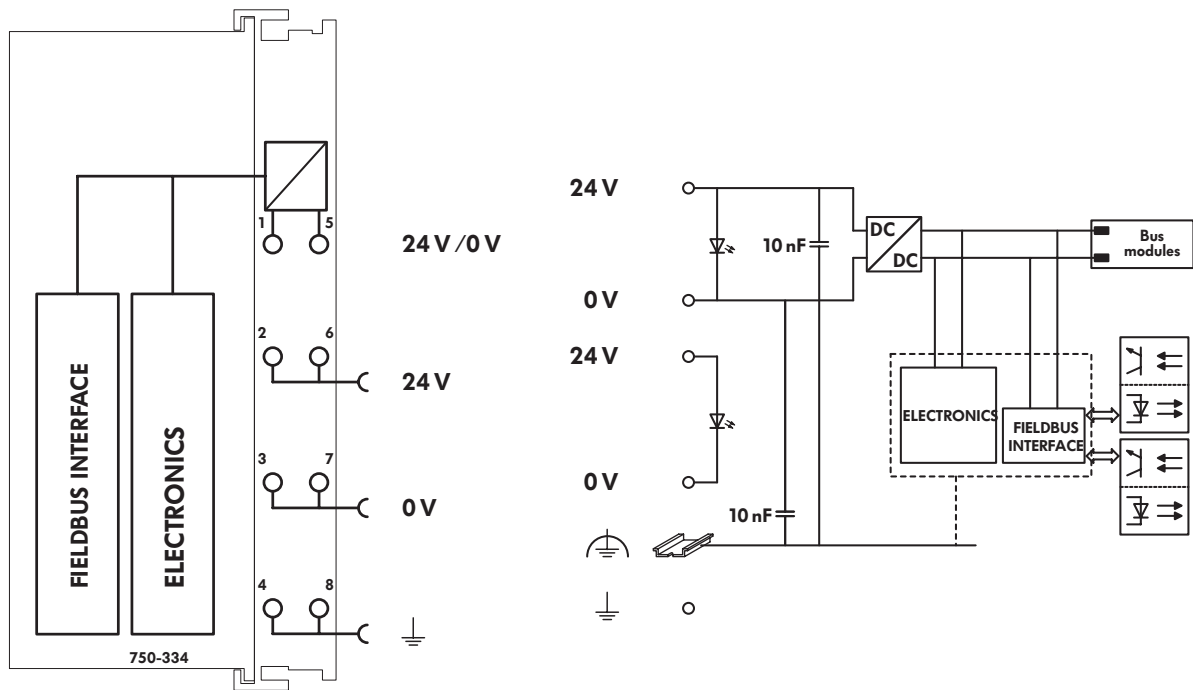
The buscoupler is capable of supporting all bus modules. The buscoupler automatically configures, creating a local process image which may include analog, digital or specialty modules. Analog and specialty module data is sent via words and/or bytes, digital data is sent bit by bit.

The local process image is divided into two data zones containing the data received and the data to be sent. The process data can be sent via the INTERBUS fieldbus to the PLC, PC or NC for further processing, and received from the field via INTERBUS.

The data of the analog modules is stored in the process image which is created automatically according to the order in which the modules are connected to the buscoupler. The bits of the digital modules are sent byte by byte and added to the analog data. If the amount of digital information exceeds 8 bits, the buscoupler automatically starts with a new byte.

The fiber optic INTERBUS coupler can be put in any place on the ring.

Description	Item-No.	Pack.-unit pcs	System Data	
INTERBUS LWL	750-334	1	Max. no. of nodes	256
			Max. no. of I/O points	4096 (depends on master)
			Transmission medium	APF (plastic) fiber (1000 μm)
			Topology	ring, double fiber ring
			Length of fieldbus segment	1m ... 40 m
			Baud rate	500 kbaud
			Buscoupler connection	F-SMA



Technical Data		General specifications	
Max. no. of I/O modules	64	Operating temperature	0 °C ... +55 °C
Fieldbus		Wire connection CAGE CLAMP®	0.08 mm ² ... 2.5 mm ² ; AWG 28 ... 14
-Input process image	max. 64 bytes		8 ... 9 mm / 0.33 in stripped length
-Output process image	max. 64 bytes	Dimensions (mm) W x H x L	51 x 65* x 100
Configuration	via PC or PLC		* from upper edge of DIN 35 rail
Voltage supply	DC 24 V (-15 % ... +20 %)	Weight	ca 200 g
Input current	500 mA at 24 V	Storage temperature	-25 °C ... +85 °C
Efficiency of the power supply	87 %	Relative air humidity	95 % no condensation
Internal current consumption	350 mA at 5 V	Vibration and shock resistance	acc. to IEC 60068-2-6
Total current for I/O modules	1650 mA at 5 V	Degree of protection	acc. to IEC 60068-2-27
Isolation	500 V system / supply	EMC CE -Immunity to interference	IP 20
Voltage via power jumper contacts	DC 24 V (-15 % ... +20 %)	EMC CE -Emission of interference	acc. to EN 50082-2 (1996)
Current via power jumper contacts _{max.}	DC 10 A		acc. to EN 50081-2 (1994)
Switches		Standards and Approvals	
OFF	Fieldbus coupler is the last fieldbus device	Standard	EN 50254
ON	Output fieldbus interface is active	Certification	INTERBUS CLUB
		UL	see pages 1.10 ... 1.13
		Ex	II 3 GD EEx nA II T4, Class I Div2 ABCD T4A
		Conformity marking	CE
		Accessories	Item-No.
			Pack.-unit pcs
		INTERBUS files	Download: www.wago.com
		Miniature WSB quick marking system	
		plain	248-501 5
		with marking	see pages 1.174 ... 1.175