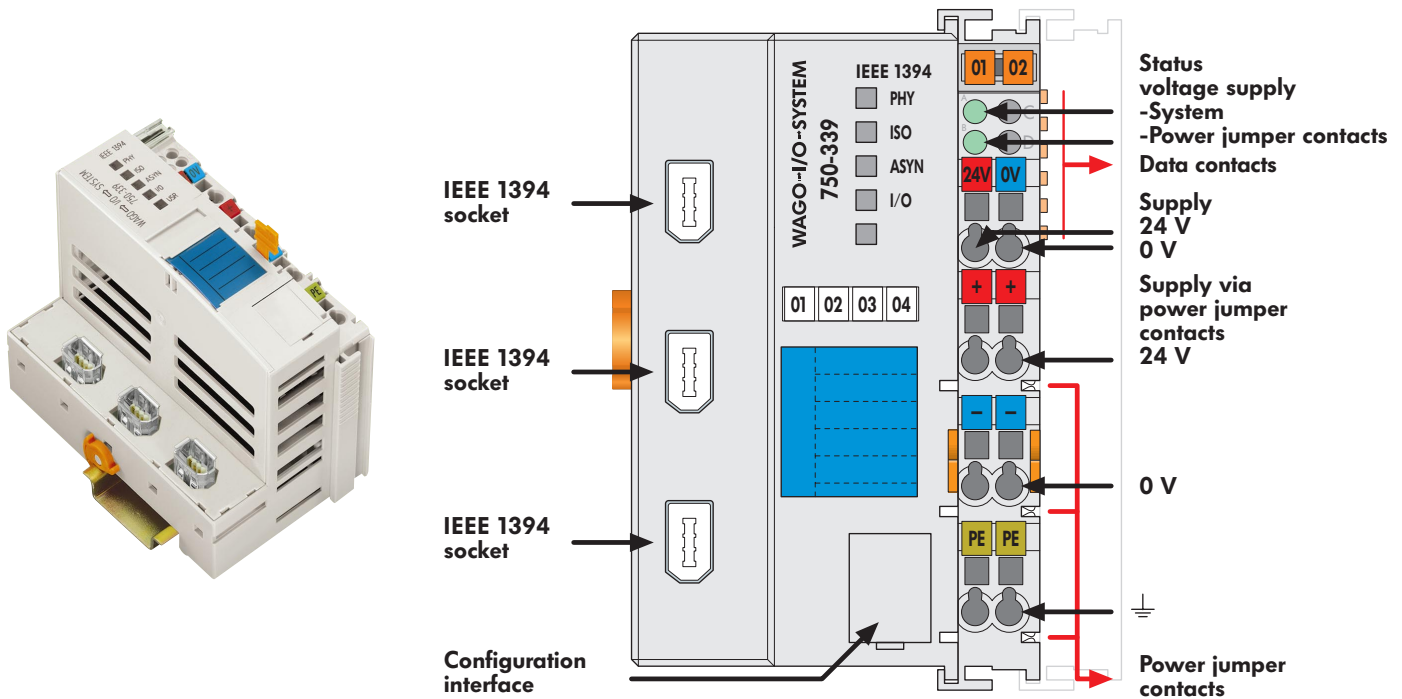


Firewire Fieldbus Coupler



This buscoupler allows connection of the WAGO \Rightarrow I/O \Rightarrow SYSTEM as a slave to Firewire or IEEE 1394 fieldbus.

The buscoupler is capable of supporting all I/O modules. The buscoupler automatically configures, creating a local process image which may include analog, digital or specialty modules. Analog and specialty module data is sent via words and/or bytes, digital data is sent bit by bit.

The local process image is divided into two data zones containing the data received and the data to be sent and is displayed in the IEEE 1394 address area of the bus-coupler. The process data can be sent via the Firewire fieldbus to the PLC, PC or NC for further processing, and received from the field via Firewire.

The data of the analog modules is stored in the process image which is created automatically according to the order in which the modules are connected to the bus-coupler. The bits of the digital modules are sent byte by byte and added to the analog data. If the amount of digital information exceeds 8 bits, the buscoupler automatically starts with a new byte.

Description	Item-No.	Pack.-unit pcs	System Data	
Firewire	750-339	1	Max. no. of nodes	63
			Transmission medium	shielded Cu cable in accordance with IEEE 1394 2 x 2 x 28 AWG + 2 x 22 AWG
			Max. length of bus line	72 m/bus segment (17 nodes) 4.5 m between two nodes
			Topology	tree
			Baud rate	100 MBaud, 200 MBaud, 400 MBaud
			Buscoupler connection	3 x 6-pole IEEE 1394 socket

